





































































**Dimensions - GEMÜ 488 butterfly valve with motorized GEMÜ actuators [mm]**

Body configuration								Actuator								
Wafer								9428 / 9468								
DN	PS	C	D	B	H1	H	kg	Actuator version	H1	H2	L	L1	M	M1	ZB	P
25	16	25	59.5	41.3	221	262.3	2.1	1006	221	121	108.0	53.0	145.0	-	-	0
40	16	33	75.5	53.8	241	294.8	2.7	1015/2015	241	121	108.0	53.0	145.0	-	-	0
50	16	43	91	60.2	244.5	304.7	5.4	3035	244.5	124.5	172.0	96.0	208.0	-	-	0
65	16	46	111	67.6	264.5	332.1	6	3035	264.5	124.5	172.0	96.0	208.0	-	-	0
80	16	46	130	90.4	300	390.4	8.6	2070	300	155	167.0	83.5	235.0	-	-	0
100	16	52	150	105.1	321	426.1	10.1	2070	321	155	167.0	83.5	235.0	-	-	0
125	16	56	179	119.6	387	506.6	18.5	4100	387	200	207.0	102.0	277.5	146.5	-	0
150	16	56	210	131.5	400	531.5	19.6	4200	400	200	207.0	102.0	277.5	146.5	-	0
200	3	60	264	160	440	600.0	23.7	4200	440	200	207.0	102.0	277.5	146.5	-	0
250	3	68	314	195.3	465	660.3	33.2	4200	465	200	207.0	102.0	277.5	146.5	-	0
Lug								9428 / 9468								
DN	PS	C	D	B	H1	H	kg	Actuator version	H1	H2	L	L1	M	M1	ZB	P
50	16	43	151	60	244.5	304.5	6.1	3035	244.5	124.5	172.0	96.0	208.0	-	-	0
65	16	46	171	67	264.5	331.5	6.4	3035	264.5	124.5	172.0	96.0	208.0	-	-	0
80	16	46	188	89	300	389	11.6	2070	300	155	167.0	83.5	235.0	-	-	0
100	16	52	218.5	103	321	424	12.1	2070	321	155	167.0	83.5	235.0	-	-	0
125	16	56	250	119	387	506	22	4100	387	200	207.0	102.0	277.5	146.5	-	0
150	16	56	275	130.5	400	530.5	25	4200	400	200	207.0	102.0	277.5	146.5	-	0
200	3	60	330	170.5	440	610.5	32	4200	440	200	207.0	102.0	277.5	146.5	-	0
250	3	68	402	203	465	668	43	4200	465	200	207.0	102.0	277.5	146.5	-	0
U section								GEMÜ 9428 / 9468								
DN	PS	C	D	B	H1	H	kg	Actuator version	H1	H2	L	L1	M	M1	ZB	P
150	16	56	269	146	400	546	28	4200	400	200	207.0	102.0	277.5	146.5	-	0
200	3	60	343	175	440	615	32	4200	440	200	207.0	102.0	277.5	146.5	-	0
250	3	68	404	205	465	670	46	4200	465	200	207.0	102.0	277.5	146.5	-	0



## Technical data - Motorized J+J actuators

### Min. / max. ambient temperature

-20 to +70° C

### Protection class to EN 60529

IP 67

### Special features

Standard manual override

### Weight

Actuator version J3C20	1.8 kg
Actuator version J3C35	1.9 kg
Actuator version J3C55	2.3 kg
Actuator version J3C85	3.0 kg
Actuator version J3C14 / J3C30	5.2 kg

### Power supply

#### Rated voltage

Version J3C14/30	24 V AC/DC (0/+5 %)
Version J3C20/35/55/85	24 - 240 V AC/DC (± 0%)
All versions	85 - 240 V AC/DC (0/+ 5%)

Rated frequency at AC rated voltage 50/60 Hz

Rating 75 %

### Operating times (± 10%)

Actuator version	24- 240 V AC/DC Code U5	24 V, 85-240 V AC/DC Code C5, S5
J3C20	10 s	-
J3C35	10 s	-
J3C55	14 s	-
J3C85	30 s	-
J3C14	-	34 s
J3C30	-	58 s

### Correlation actuator version / nominal size

DN	PS [bar]	Actuator version (Code)					
		J3C20	J3C35	J3C55	J3C85	J3C14	J3C30
25 - 50	16	X	-	-	-	-	-
65		-	X	-	-	-	-
80		-	-	X	-	-	-
100 - 125		-	-	-	X	-	-
150		-	-	-	-	X	-
200		-	-	-	-	-	X
200 - 350	3	-	-	-	-	-	X

Technical data for EPDM, +20 °C, medium water

## Order data - GEMÜ 488 with motorized J+J actuator

13 Voltage/frequency	Code
24 V AC/DC (-0/+5 %) Version 140, 300	C5
24 - 240 V AC/DC (-0/+0 %) Version 20, 35, 55, 85	U5
85 - 240 V AC/DC (-0/+5 %) Version 140, 300	S5

16 Actuator version	Code
Torque 20 Nm	J3C20
Torque 35 Nm	J3C35
Torque 55 Nm	J3C55
Torque 85 Nm	J3C85
Torque 140 Nm	J3C14
Torque 300 Nm	J3C30

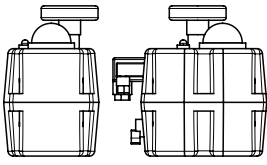
Technical data for liquids +20 ... +80 °C

15 Functional module	Code
OPEN/CLOSE control with 2 additional potential-free limit switches	AE
Control module; for external set value 4-20 mA	E2
Control module; for external set value 0-10 V DC	E1
With BSR accupack - NC	AE1
With BSR accupack - NO	AE2

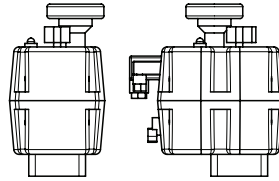
Order example	1	2	3	4	5	6	7	8	9	10	14	15	16	
Code	488		Order data butterfly valve (page 4)									R5	AE	J3C85

**Dimensions - GEMÜ 488 butterfly valve with motorized J+J actuators [mm]**

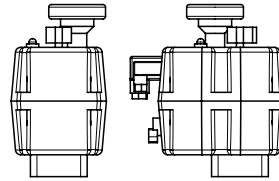
Code J3C20, J3C35



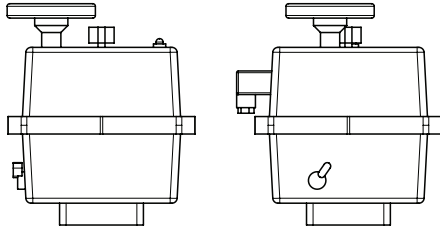
Code J3C55



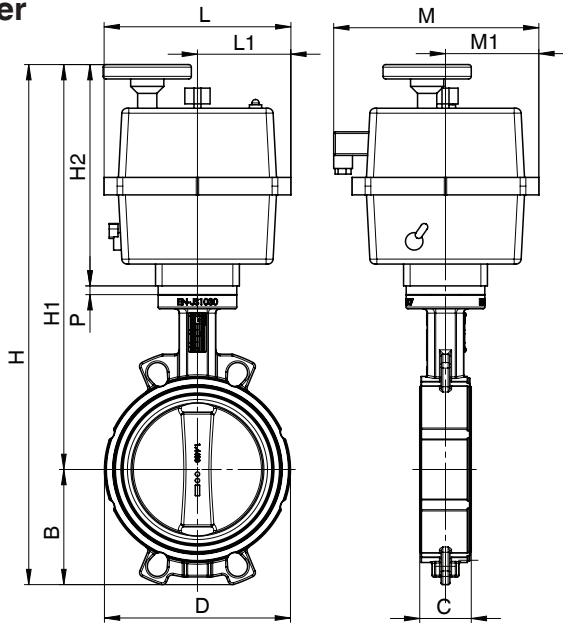
Code J3C85



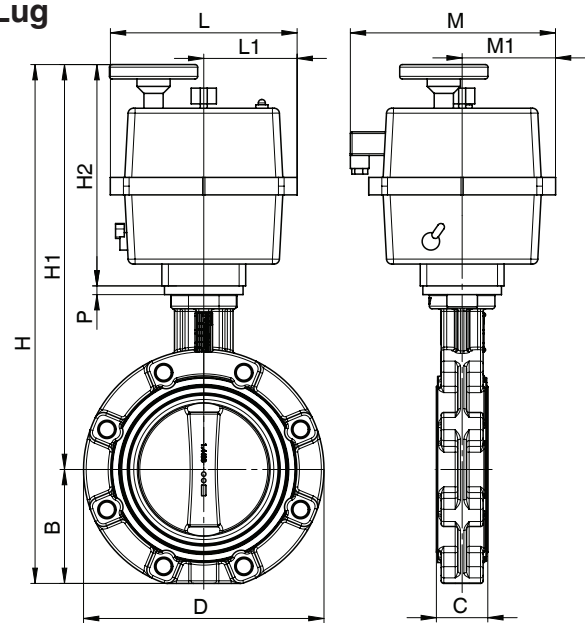
Code J3C14, J3C30



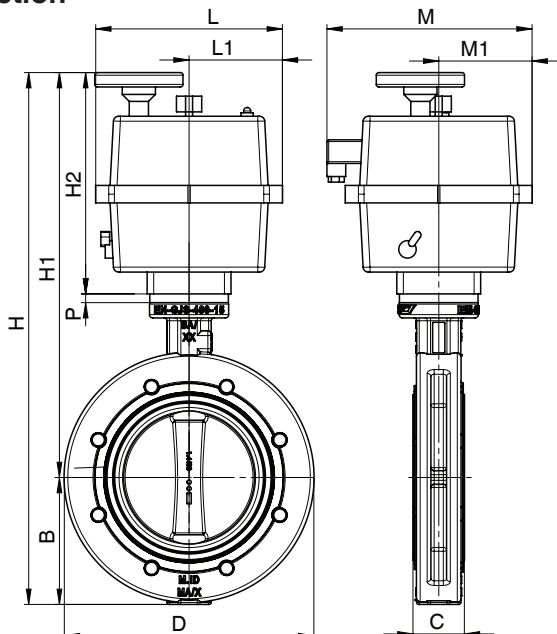
**Wafer**



**Lug**



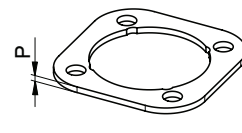
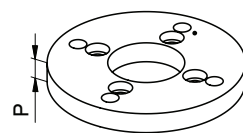
**U section**



**Accessories (ZB)**

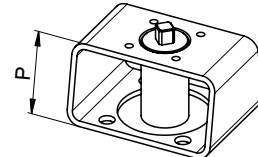
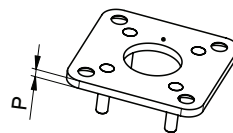
Adapter plate (ADP)

Spacer (DIS)



Adapter plate (ADP)

Mounting kit (MSC)



## Dimensions - GEMÜ 488 butterfly valve with motorized J+J actuators [mm]

Body configuration								Actuator								
Wafer								J+J								
DN	PS	C	D	B	H1	H	kg	Actuator version	H1	H2	L	L1	M	M1	ZB	P
25	16	25	59.5	41.3	271	312.3	3	J3C20	271	171	110.0	55.0	177.0	51.0	-	0
40	16	33	75.5	53.8	291	344.8	3.3	J3C20	291	171	110.0	55.0	177.0	51.0	-	0
50	16	43	91	60.2	291	351.2	4.8	J3C20	291	171	110.0	55.0	177.0	51.0	-	0
65	16	46	111	67.6	311	378.6	5.5	J3C35	311	171	110.0	55.0	177.0	51.0	-	0
80	16	46	130	90.4	341	431.4	6.3	J3C55	341	196	110.0	55.0	177.0	51.0	-	0
100	16	52	150	105.1	362	467.1	8.5	J3C85	362	196	110.0	55.0	177.0	51.0	-	0
125	16	56	179	119.6	383	502.6	10.5	J3C85	383	196	110.0	55.0	177.0	51.0	DIS	6
150	16	56	210	131.5	454	585.5	13.8	J3C14	454	254	214.0	107.0	235.0	107.0	-	0
200	16	60	264	160	494	654	17.9	J3C30	494	254	214.0	107.0	235.0	107.0	-	0
200	3	60	264	160	494	654	17.9	J3C30	494	254	214.0	107.0	235.0	107.0	-	0
250	3	68	314	195.3	519	714.3	27.4	J3C30	519	254	214.0	107.0	235.0	107.0	-	0
300	3	78	364	236.3	544	780.3	36	J3C30	544	254	214.0	107.0	235.0	107.0	-	0
350	3	78	440	266	585	851	53.2	J3C30	575	254	214.0	107.0	235.0	107.0	ADP	10
Lug								J+J								
DN	PS	C	D	B	H1	H	kg	Actuator version	H1	H2	L	L1	M	M1	ZB	P
50	16	43	151	60	291	351	5.5	J3C20	291	171	110.0	55.0	177.0	51.0	-	0
65	16	46	171	67	311	378	5.9	J3C35	311	171	110.0	55.0	177.0	51.0	-	0
80	16	46	188	89	341	430	9.3	J3C55	341	196	110.0	55.0	177.0	51.0	-	0
100	16	52	218.5	103	362	465	10.5	J3C85	362	196	110.0	55.0	177.0	51.0	-	0
125	16	56	250	119	383	502	14	J3C85	383	196	110.0	55.0	177.0	51.0	DIS	6
150	16	56	275	130.5	454	584.5	19.2	J3C14	454	254	214.0	107.0	235.0	107.0	-	0
200	16	60	330	170.5	494	664.5	26.2	J3C30	494	254	214.0	107.0	235.0	107.0	-	0
200	3	60	330	170.5	494	664.5	26.2	J3C30	494	254	214.0	107.0	235.0	107.0	-	0
250	3	68	402	203	519	722	37.2	J3C30	519	254	214.0	107.0	235.0	107.0	-	0
300	3	78	472	236	544	780	48.2	J3C30	544	254	214.0	107.0	235.0	107.0	-	0
350	3	78	520	260	585	845	71.2	J3C30	575	254	214.0	107.0	235.0	107.0	ADP	10
U section								J+J								
DN	PS	C	D	B	H1	H	kg	Actuator version	H1	H2	L	L1	M	M1	ZB	P
150	16	56	269	146	454	600	22.2	J3C14	454	254	214.0	107.0	235.0	107.0	-	0
200	16	60	343	175	494	669	26.2	J3C30	494	254	214.0	107.0	235.0	107.0	-	0
200	3	60	343	175	494	669	26.2	J3C30	494	254	214.0	107.0	235.0	107.0	-	0
250	3	68	404	205	519	724	40.2	J3C30	519	254	214.0	107.0	235.0	107.0	-	0
300	3	78	484	237	544	781	60.2	J3C30	544	254	214.0	107.0	235.0	107.0	-	0
350	3	78	262	262	585	847	63.2	J3C30	575	254	214.0	107.0	235.0	107.0	ADP	10

Certificate	Standard	Item number
2.1 Certificate of compliance with the order	EN 10204	88039442
2.2 Functionality	EN10204/EN 12266-2 F20	88439527
2.2 Pressure test	EN 10204, DIN EN 12266 P10, P11, P12	88039443
3.1 Body material	EN 10204	88314529
3.1 Disc material	EN 10204	88314530
3.1 Shaft material		88734227
3.1 Pressure test	EN 10204, DIN EN 12266 P10, P11, P12	88337125
3.1 Layer thickness measurement		88460229
3.1 Surface roughness measurement (only disc code B)		88094384

For further butterfly valves, accessories and other products, please see our Product Range catalogue and Price List. Contact GEMÜ.

**GEMÜ**® VALVES, MEASUREMENT AND CONTROL SYSTEMS

